

THE CHESTER DISTRICT GENEALOGICAL SOCIETY

P. O. Box 336, Richburg, S. C. 29729

Published quarterly in March,
June, September, and December

VOLUME 32

SEPTEMBER, 2008

NUMBER 3

President's Page	Page 81
James Graidison (Grandison) Leroy Huey	Page 82
Woods Family Graveyard	Page 85
Mr. Josiah Miller	Page 87
Archibald Steel	Page 88
William Frank Smith	Page 90
Cochrane / Reid	Page 91
Mrs. Eliza Hardin	Page 91
Mrs. Emma A. Meador	Page 92
Thanks	Page 95
The Washington, Robert and Albert Gist Family	Page 96
The State of South Carolina Chester District Deed Book N, Page 472	Page 97
Carrie Agnew	Page 98
Woods - Faucette	Page 99
John J. Stringfellow	Page 100
Queries	Page 101
Some Simpson Family Notes	Page 102
James Strong	Page 113
Christopher Strong	Page 113
John Wilson Burns	Page 115
Index	Page 116
Publications for Sale	Inside Back Cover

EDITOR

Mrs. Barnette F. Nichols
P. O. Box 336, Richburg, S. C. 29729

President	Mrs. Ellen L. Schuster
Secretary	Mrs. Debbie N. McMinn
Vice President/Treasurer	Mr. George H. Moore
Editor	Mrs. Barnette Nichols
Research Director	Mrs. Ellen Schuster

e-mail: schustel@comporium.net

Dues: \$25.00 Per Calendar Year

Meetings

September -No Meeting
October 5 - 3pm Business Meeting, Richburg
November 2 - 3pm Business Meeting, Richburg

PRESIDENT'S PAGE

Greetings to one and all!!

I hope each of you have had a wonderful summer searching for all of those long lost relatives and perhaps having even found one.

I, for one, have been able to find a distant cousin that I have been searching for - many years. However, the parents of John Beck Moore and Mary Harrison still elude me.

Our President has been back in the hospital and now is out again. It has been the back and forth thing for a while. Right now, she is out and recovering. The Society and I wish her well.

Thanks to all of members that have renewed on time and sent their dues. It surely makes it easier on the Treasurer

Thanks also to Don Jones from the St. Claire County Genealogical Society for letting us use several articles that pertain to folks in Chester County. Many migrated from Chester over to Hamilton County, Ohio and Marissa, Illinois.

Several of my cousins and I have finally finished a project we started over 10 years ago - "The Lathan Legacy". The story of the Lathan family from early 18th century till today starting with James Lathan and Peggy Waugh.(See back cover)

I would also like to thank the visitors we have had at the Society's library. Many of them left folders on their searches for others to use when visiting.

Our editor and typist appreciate queries and articles for the "Bulletin". As you will notice, the John Simpson articles appear once again. This one has diagrams of the cotton gin and the hay baler and copies of the patent.

Our membership is open to everyone. If you know anyone that would be interested, it is a good bargain for \$25.00 a year. We are a registered non profit corporation(5013C)

If you have any suggestions you think would help us make our Society better, let us hear from you. We will always consider new ideas.

George Moore, Vice President and Treasurer

James Graidison (Grandison) Leroy Huey

(Begun about 1854, about 100 pages. A summary as copied by W. B. Smith, McRae, Georgia. The original is owned by Mrs. James H. Patterson, 63 N. Monterey St., Mobile, Ala.

Note by V. C. Foyd: Mrs. Patterson died summer of 1950, age 80 years. The MEMOIRS now in possession of a niece in Washington)

“My great grandfather, Hercules Huey, was the son of James Huey and Margaret Huey, the sister of Lord Hercules Ellis, and my great grandfather in turn married Katherine Persee, daughter of Richard Persee, a gentleman of wealth and culture. The oldest son, Alexander Huey, was trained for military life, and through the influence of his mother's family was made a Captain of a war vessel in the British Navy and sent on a cruise to the East Indies where he died about 1750 on that trip and left no trace.

James Huey, the second son, was my grandfather, and a short time before the Revolution landed in Charleston, S. C. and a little later settled in Waxhaw. Grandfather joined the army under General Sumter and served until the close—part time under Marion. His mother lost her first husband and married a second time a man named Abram Adams (Huey is incorrect evidently in this statement for the mother of his grandfather, Catherine Huey is buried in Waxhaw Presbyterian church cemetery with her husband Hercules Huey. The marker being placed there, so it states, by their son, Hercules. “Hercules Huey died Sept. 1775 was 50 years old. Catherine Huey died Nov. 16, 1808 at the age of 30 years.”

In his will recorded in Kershaw county Hercules willed his property to his wife “Cattren” and to his “six children” and then included “my two children, Abram and Margaret Adams.” Evidently Catherine had married the Adams man, who came with her to America, first. (Above note of correction inserted by V. C. Floyd, 1950, both died soon after the revolution, and both are buried at Tirzah (?). After the war closed my grandfather married Miss Polly Coffee who lived only a few months. When he married again, it was to his first love, Miss Jane Walker, a daughter of John Walker and his wife who was a Boyd, and who were also immigrants from Antrim County, Ireland.

When John Walker settled in the Waxhaws he opened a good country store and accumulated a large stock of cattle, while his oldest son, Andrew Walker, took charge as herdsman. This Andrew, being an expert horseman, organized a company to harass the British Army during the Revolution, and at one time took thirteen prisoners. These he exchanged for his brother, Thomas Walker, and five others who were in the Camden jail – one of the five being Andrew Jackson.

The children of James Huey and Jane Walker Huey were:

Alexander Boyd Huey

Robert Davis Huey

John Boyd Huey

James Huey

Thomas Walker Huey

Jane Huey, married David Walkup

(Note by V. C. Floyd: Family records show that he omitted the eldest, Eliza Boyd Huey, born Dec. 22, 1787

Alexander Boyd Huey, my grandfather, and his brother, Robert Davis Huey, married sisters, daughters of William McCain who married Eleanor Johnson, of an English family, whose brother's son, Richard M. Johnson, distinguished himself as an Indian fighter. With his own hand he slew the great Tecumseh, and was afterwards Vice-President of the United States under Martin Van Buren.

In 1832 Alexander Boyd Huey sold out and moved to Harris County in Georgia (the same place where Abel Nelson went). (Note by V. C. Floyd: This is also the same place and same year that Catherine Huey Harper, first cousin of Alexander B. Huey, widow of William Harper, went to Georgia. Catherine later moved to Sumter County. Several of her brothers also migrated to Harris County about the same time.) Just after this, Robert Davis Huey moved from Monroe County to Harris county and engaged in building water mills. James A. Huey was then sheriff of Harris County. Elijah C. Walker had moved to Talledega, Alabama and James G. L. Huey went over there and clerked for him. He boarded with the Walker family. His uncle, Thomas W. Huey of Lancaster, S. C. got him to go into business with him and met him in Charleston where goods were bought. Dr. George Blackston Huey also went to Harris County, Ga.

James Graidison (Grandison) Leroy Huey was born in 1813 at Waxhaw and at the age of six weeks was baptized by Isaac Grier of Tirzah church. His grandmother, Jane Walker, was second wife of James Huey. Jane Walker had carried food to her brother (Thomas Walker) who was a prisoner at Camden during the Revolution. This was before she married. She went alone on horseback to Camden, about 43 miles, got there just before sundown, delivered the food and returned home in the night getting home about sun-up the next morning. Her own horse gave out but she found another of a soldier, belled to let graze for food. She put the bell on her own horse and took the other to make the trip home.

James G. L. Huey, born in 1813 was put in school at the age of six under James Thompson. He stayed with his uncle, John Walker.

The Rev. William Blackstock, a learned and able minister of the A. R. P. church, came to reside with us in 1825 and lived in a rented house nearby and boarded with my father. He had no family having lost his wife many years before and was 70 years old and wanted to live near Tirzah of which church he was pastor. He had a good library and I spent evenings with him. He was by birth and education an Irishman, passing his collegiate life in Glasgow, Scotland, and attending the divinity school near Selkirk, near Edinburgh. He came to this country in 1796.

In 1827, William Blackstock was chosen as a missionary of the church and young Huey was taken as a helper on the trip. The darkest frontier life with the best of people who took in and fed strangers, believing in the goodness of all and asking no questions or showing suspicion. They started on the 29th of January 1828, crossed S. C. to Newton Co., Ga., where a church was organized near Snapping Shoals on South River, a branch of the Momulgee. Then into Monroe County, Ga., where infants were baptized, and people visited, but there was no church. At that time his father's oldest brother, Robert Davis Huey, had settled there. Then, on to Macon. They planned to go to Tallahasee but South Georgia was not settled and they were advised to turn back through Alabama. They visited people in Atauqua and Dallas county Alabama, where a large number of people from Camden and Waxhaw, S. C. had already gone. Then they went to Perry County, Alabama and stayed with some Seceder friends, the Craigs and Barrons, baptizing their children and administering the sacraments. Then up to Greensboro, Tuscaloosa and Franklin and Russell counties of Alabama, where similar rites were administered. Crossed to Tennessee river through Gillas County, Tenn., then to Maury County Tennessee. After a week there we went to Obion near the Mississippi river and stayed there some weeks then down to Jackson near Memphis calling on people who desired ministerial aid. Then we turned eastward through Maury, Williamson and Rutherford County, Tenn., entered the Cherokee Nation near Chattanooga, Tenn., crossed into Georgia by Gainsville, then to Milledgeville through Burke county where the Synod was met, and reported and ended the mission. Returned through Augusta, through Chester, S. C. and back home in December, 1828.

In 1831 taught school at the home of his uncle, Hugh Johnston McCain.

In 1832 his father sold out and moved to Harris County, Ga. His uncle, Robert Davis Huey, had moved to Harris County from Monroe County and James Craidison (Grandison) Leroy Huey built gins and mills with him. James Alexander Huey, a cousin was sheriff of Harris County.

Moved to Kelly Springs, Ala. where he was engaged as a clerk for his cousin, Elijah C. Walker and lived with the Walker family.

In 1826 was in military and was an aide to General William B. McClelland.

In 1834, his uncle Thomas Walker Huey, of Lancaster county, S. C. asked him to go in business with him at Talledega, Ala., met his uncle in Charleston where goods were bought and shipped to Mobile, and by wagon up the old trail from Mobile to Chattanooga (nearly 300 years old). This partnership lasted until 1857.

In 1837 in Talledega there was only one Sunday school, Robert Carey was the Methodist preacher in the church. This Presbyterian was superintendent of the Sunday school where all went. There he met Victoria Maclin from Greenville, Va. who became his wife.

Was a delegate to the convention which nominated James K. Polk for President.

In 1841 joined the Methodist church because his wife was a Methodist. A family heirloom is a very fine Bible in a Mahogany box presented to him by the Alabama Methodist conference. His wife was a member of the famous Mason family in Virginia.

In (?)1945 he was elected to the Alabama senate. While in the Senate was with the party who afterwards moved the Capitol to Montgomery.

He served in the confederate army as a Major-General.

In late life he married a second wife and moved to Perry County, Alabama where he died.

These notes were made from a record owned by Mrs. James H. Patterson, 63 N. Monterey St., Mobile, Alabama. Mrs. Patterson owned the original "Memoirs" which contained about a hundred pages.

She died in the summer of (?)1950 (1930). The "Memoirs" at the time of her death were in the hands of a niece who lived in Washington, D. C.

Woods Family Graveyard

By Anne Pickens Collins
Special to the News & Reporter
November 22, 2002

"Once upon a time" is a phrase that tantalizes our attention at any age, any time and any place. Which door will it open?

In the glow of gorgeous fall colors on a Saturday afternoon in the isolation of a 1,000-acre forest, located 17 miles from nowhere, it opened a page of Chester County history more than 200 years old. It is a page that is forlorn, neglected, forsaken, forgotten and gradually bringing to pass the words of prophets: "Dust thou art, to dust returneth."

It is a lonely little graveyard no longer needed or used, gradually being engulfed by a national forest. It has been damaged by vandals, hunters, time and weather.

It is as intriguing as it is poignant. There is no sign of life – no birds, no creatures, no sound.

I counted 20 graves. One was covered by a mausoleum of an adult, one was a flat-stone grave with a love letter engraved by an expert hand, one had an insignia of a fallen Confederate veteran. There were a number of small graves, those of babies and children. All readable markers bore the names Woods or Pinchback.

Marauders have deliberately desecrated, chipped or broken the headstones. The latest decipherable data there is 1857.

Sumter National Forest covers several thousand acres and extends from Chester and Union counties to Oconee County in South Carolina.

You won't be able to find the little graveyard without Nancy Anderson or Gary Roberts to lead you there. I wouldn't be able to find it again without help.

The Woods family were prosperous and prolific pioneers. They were planters, plantation owners and hard workers.

The late Hawthorne Robert Woods records this sketch of his illustrious ancestors in Volume I of "Chester County Heritage History."

"He was a large and successful planter, a kind indulgent master, was never known to have sold a slave, and the quarters in which his large number of slaves lived were a model of neatness and comfort, the neat frame houses having been built along a regular street, and each having a garden in the rear."

There had to be a graveyard, because the grim reaper spares no one. The Woods family was many miles from a cemetery. Transportation was slow and buggies drawn by horses and mules. Caskets had to be built by workers on the plantation.

Matthew Woods had three wives. He and his first wife, Margaret Faucett, were married in 1804. Other wives, not clearly linked to specific Woods men, were Elizabeth Pinchback Woods and Alice Hawthorn Woods.

The poignant poem at the end of this story is engraved to a beloved wife, Elizabeth P. Woods. She was born April 11, 1819, and died Oct. 9, 1856

The Woods family descendants since 1804 are as numerous as the trees in Sumter National Forest.

In 1824, Matthew Woods and his neighbors petitioned the General Assembly for permission to establish a ferry to cross Broad River. The request was granted, and the area still bears the name Woods Ferry, although the ferry is long gone and replaced by bridges and highways

For good reading about the pioneering Woods family and their heritage, read about them in "Chester County Heritage History Vol. I: from pages 429-430. Here is the love poem and its still-decipherable tribute:

'Sacred to the memory of Elizabeth Pinchback Woods
A wife of Richard Woods and only daughter of
John and Mary Pinchback Woods

Born April 11, 1819, Died October 9, 1856
Aged 37 years, 5 months, 28days.

Dear is the spot where loved ones sleep,
And sweet the stream which angels pour.
Oh why should we in anguish weep?
They are not lost but gone before.
'Tis the last saddest offering affection can bring,
And the last mournful tribute deep anguish can wring
To mark the loved spot where our heart's treasure lies,
The place where we laid her away from our eyes.
The marble that touchingly tells of her worth
And speaks of her well-performed duties on earth.
Is but the response of the truth she did hold,
Whose lessons are purer and brighter than gold.
Though short was her story on this valley of tears,
She gained the reward more enduring than years.
The crown of the righteous encircles her brow,
And happier far than the happiest. now."

-Boyne and Sproul, possibly the names of the engravers

Mr. Josiah Miller

Mr. Josiah Miller died at his home in the Pleasant Grove community Monday, Sept. 1914 about one o'clock after having been in gradually declining health for several months. Funeral Services were conducted Tuesday morning at eleven o'clock by Rev. R. Roy Brown and the mortal remains laid to rest in Pleasant Grove graveyard.

Mr. Miller was a native of the Pleasant Grove community and was born Aug. 3, 1841. When the Civil War broke out he promptly enlisted and rendered faithful and valorous service as a member of Co. G, Fifth S. C. Regt. He was for the greater part of his life a faithful and devoted member of Pleasant Grove Presbyterian church and was a man of sterling integrity and uncompromising Christian character. He is survived by the following brothers and sisters: Messrs William and John C. Miller, of Somerville, Indiana, and James Robert Miller of this county; Mrs. W. R. Brown, of Chester, and Misses Janet W., Sarah, Catherine J. and Cecilia Miller, of Pleasant Grove.

Archibald Steel

Archibald Steel of York County, planter, appoint Robert Steel of same, my true & lawful attorney to receive any sum of money, legacies, rights & interests owing to me in the state of Pennsylvania as heir to Robert Steel of the State of Pennsylvania deceased, also full power to sue & implead James Pegan and James Lowreman, exrs. of the will of Robert Steel aforesaid, deceased, 29 June 1791.

Archibald Steel (his mark) (Seal)

(This will book is type written and this will has been typed up as it appears in the book, including misspellings)

Lancaster County Courthouse Archives Will Book B Volume 1 page 121.

Robert Steel

Deceased

In the name of God amen the ninth day of January in the Year of our Lord

One thoufand seven hundred fifty and Ses I Robert Steel of the Township of Martiks and County of Lancaster and Provance of Pennfylvania Being sick and weak of Body but of perfect Mind and Memory thanks be to God therefore Calling to Mind the Mortality of my body Knowing that it is

Appointed

For all Men once to die do give and recommend my Soule unto the hands of my God who give it and my Body to the Earth to be buried in a Christian and defent manner. Itim I do give to my eldest doughtr Margrat wife

Of

Hugh Thomson one pice of Eight to be paid in one Year afther my defes

And

I do give to my Doughtr Elifabeth Wife of John Wharey one pice of Eight to

Be paid in on Year afther my defes Item I do give to my sone archibld

One

Cowe with a Whitt face. Item I do give to my doughtr Martha in Goods

And

Chattels to the velow of Twenty pount Item I doleve to Martha my

Daearly

And beloved wife all the remendr of my Estat that is to say Both Real

And

Pefonal during her widowhood and if Martha my beloved wife shall see

Cause to Marry then I do ordr all my Estat Reale and Pefonal to be sold

At

Publick Vandue and the price to be devided amoungst my Children and my beloved Wife having a Child part and whatever part of my Estat is remaining in the hands of myh beloved Wife till her defes that she shall have power to will it as she sees cause and with the Advice of my Executors.

And I do hereby appoint and ordain Martha my beloved Wife and James Loromor & James Pagen my sole and absolute Executors of this my last Will and Testament and I do hereby revoke and disannul all other Wills or testaments allowing thus to be my Last Given and my hand and seal the day and year above written.

Robt Steel his (mark) (Seal)

Witnesses present John McDowell Samuel Losk

Lancaster FS. 25th March 1756. Before me the subscriber came John McDowell and Samuel Losk the witnesses to the within written Written on their Corporal Oaths did depose and say that they were present.

& saw and heard Robert Steel the Testator within named Sign Seal and publish pronounce and Declare the within writing as and for his last

Will

and Testament and that at the doing thereof he was of sound and disposing

Mind Memory and Understanding to the best of their knowledge

Observation

and Belief Edwd. Shippen D. Rr.

BE IT REMEMBERED that on the 25th day of March 1756 The last Will and Testament of Robert Steel deceased was proved in due form of Law and Probate & Letters Testamentary were granted unto Martha Steel, James Loromore & James Pagen the Executors in the said Testament named they being first duly qualified well and truly to Administer the said Decedents

Estate and bring an Inventory thereof into the Registers Office at Lancaster

on or before the twenty fifth day of April next And also to render a

true

and

just account of their said Administration when thereto lawfully required.

Given under the Seal of the said Office by me Edwd. Shippen Deputy Register

?estnut Level Presbyterian Lower cemetery

[Robert is the only one of our Steels buried here, but as there was an Archibald in the other family buried here, surely there was some family connections]

STEEL Elizabeth – Died Oct 22, 1749 age 20 mo

STEELE, Elizabeth – wife of William Died Oct 9, 1826 age 71 yrs 11mo 25 days

STEELE, Elizabeth – Dau of William and Rachel Died Oct. 20, 1749 age 20 mo.

STEELE, Elizabeth Bailey – dau of William W. and Isabella Died July 18, 1822 in 14th yr

STEELE, John James – died June 9, 1834 in the 36th yr of age

STEELE, Joseph – son of William and Rachel Died Aug. 8, 1771 age 3yr 28days

STEELE, Leah – dau of William and Rachel Died July 7, 1758 age 3 yrs 1 mo

STEELE, Madeline Died in July 1810 age 4 yrs

STEELE, Mary – dau of William and Rachel Died Sept. 9, 1764 age 21 mo

STEELE, Rachel – Widow of William Died April 8, 1798 age 72 yrs.
STEELE, Robert – Died Feb 2, 1756 age 57 yrs[so born about 1698or 1699]
STEELE, Robert Bailey – son of William and Elizabeth Died April 24, 1795 age ? yrs 8 mo, 28 days
STEELE, Samuel – son of William and Rachel Died Aug 28, 1764 age 4 yr 8 days
STEELE, William – Oct 23, 1780 age 73 yrs
STEELE, William – Died May 4, 1822 age 71 yrs 9 mo, 3 days

The above article was sent to us by Mr. Daniel B. Troublefied. He found a photo of the gravestone of Archibald's father Robert Steel in Lancaster Co., Penn., online at www.findagrave.com. He also photocopied the recorded deed (power of attorney) where Archibald sent his youngest son Robert to Pennsylvania to collect Archibald's inheritance. That was many years after the father died. Presumably Archibald had learned of his mother's death from letters or folks from Pennsylvania.

Also found was a copy of the plat of the same Robert Steel's land grant in Lancaster Co., PA state archives website. And a published history of that county refers to another family that bought the property in the early 1800's from the Steel family. One of Arch's brothers-in-law bought York Co., SC, property and sent two of his Chambers sons-in-law to clear his title to it. The Chambers stayed in York Co., SC, and died here, but their families moved to Georgia afterwards.

William Frank Smith

Chester, Jan. 28, 1949—William Frank Smith, 71, widely known Spanish-American war veteran and popular Chester citizen, died at the Veterans hospital in Columbia last night following a long period of declining health.

Funeral services will be conducted at 2 o'clock Saturday afternoon from the First Baptist church of Chester, with the pastor, Rev. Broadus E. Wall officiating, assisted by the Rev. Furman O. Kelley, pastor of Calvary and Woodward Baptist churches. Interment will be in the Calvary Baptist church cemetery.

Survivors include his widow, the former Miss Mary Smith of Chester; one brother, O. D. Smith of Rodman, three sisters, Mrs. Chalmers Waters of Rodman, Miss Lena Key Mobley of Springs, Texas, and Mrs. J. O. Barwick of Sumter, and a number of nieces and nephews.

Mr. Smith was a son of the late William F. Smith and the late Mrs. Sallie Gregory Smith, prominent family of the Baton Rouge section of western Chester County. He was a member of the First Baptist church and the Veterans of Foreign Wars.

The body will remain at Lowrances funeral home until a short time before the hour for the services

Cochrane /Reid

Palmyra Sharp, daughter of Capt. R. C. Sharp, one of the earliest inhabitants of the town of Due West, married John M. Cochrane of Mecklenburg County, N.C. They lived in the house on North Main Street of Due West which was later owned by the Agnews and today belongs to R. J. Gore. Their son, R.S (Robert Sharp) Cochrane was born in 1866. He became a physician and on October 3, 1894, he married. The ARP (the ARP church's monthly newsletter) on Sept. 26, 1894 reported that the "cards are out" for the wedding of Dr. R. S. Cochrane and Miss Esther Reid of Lewisville on Oct. 3.

Later the ARP carried the following account of the wedding taken from the "Yorkville Yeoman": "Marriage in Eastern Chester County. On Wednesday evening, the 3rd inst., at 8:30 o'clock, Miss Esther Reid was married at the home of her mother, Mrs. Mary Reid, in Lewisville, Chester County to Dr. Robert S. Cochrane, a prosperous young physician of Due West. The event had been an anticipated pleasure in the minds of the friends of the contracting parties for weeks, and when the evening at last arrived it found present a large and happy company from Chester, York, Lancaster, Kershaw, and Abbeville counties to witness the nuptials of the popular young couple.

Among the unmarried people present were Misses Essie Marion, Lewisville; Ida Whitesides, Lewisville; Ellie Keenan, Lewisville; "Ammie Whitesides, Edgemoor; Viola Walsh, Chester; Mamie Betts, Lewisville; Sadie Hicklin, Lewisville; Fannie Yarborough, Charlotte, N. C.; Mary Simpson, Rodman; Lottie McWaters, Lewisville; Messrs. Ike Kennedy, Due West; James Whitesides, Edgemoor; Hardin Marion, Chester; Will Simpson, Rodman; W. J. Reid, Lewisville; Mr. McDill, Hickory Grove; Professor Greene, Lewisville; Dr. Cowan, Due West.

The above article was sent to us by Mr. John Reid of Atlanta, GA.

Mrs. Eliza Hardin

Chester, S.C. - December. 30, 1934- Mrs. Eliza Agnes Guy Hardin, 84, prominent Chester woman and widow of Adam Walker Hardin, a distinguished Confederate veteran, died early Sunday at the home of her son, S. Fred Hardin on Academy street, from infirmities of age.

Mrs. Hardin was a native of Chester County, and was the daughter of the late William Guy and Jane Smith Guy. She was a member of Bethel Methodist Episcopal church, Chester.

Mrs. Hardin is survived by five sons and one daughter as follows: William Guy Hardin of Gastonia, N. C., Samuel Fred Hardin and Robert Walter Hardin of Chester, Peter Bascom Hardin and Ernest Thompson Hardin of Chester County, and Mrs. Horace W. Kiser of Laurens, S. C. Fifteen grandchildren and five great grandchildren also survive

Mrs. Emma A Meador
By Annie P. Collins
Chester News, January 13,1965

Mrs. Emma A. Meador left a priceless legacy

Rowe penned the words, "Age sits with decent grace upon her visage, and worthily becomes her silver locks. She wears the marks of many years well spent, of virtue, of truth well tried, and wise experience." They aptly describe Mrs. Emily "Emma" Atkinson Meador of Chester who during 87 active years of life, left a priceless legacy to her family and community.

This is a brief story of her life and legacy-of her accomplishments in the face of formidable odds-and of the philosophy she lived by.

On May 5, 1961, in the twilight of her life, "Mrs.Emma" took pen in hand to write her will. She prefaced it with these words:

"My life has been a long one according to number of days but short when I remember how little happiness and Christ-like love and service I have rendered in my beloved community, county and state. I pray to be useful as long as I live."

"My prayer for each and every one of you, your children, and your grandchildren of years to come, is that you will live up to your heritage of family, Christianity and faithfulness in all the responsibilities of life---."

"These things I will to you whom I love, with a heart yearning for your success in life. I pray that all of you will join me and all the dear ones who have gone on to enter the blessedness of the New Jerusalem."

This humility, concern for others and for the future, characterized Mrs. Meador all of her days. She was born near Lowrys in Chester County in 1877, the daughter of James Beldon Atkinson and Mrs. Sarah Woods Atkinson. A cousin, Biggers Atkinson, now lives in the house in which she was born

She spent most of her life at Cedarhurst, once a large plantation named by her grandfather, James Atkinson, Jr. He built and first lived in the home and planted the cedar trees from which it got its name. The plantation including the present Boldridge farm and lands across to Orr's Station in northeastern Chester County, was originally owned by Edward Mobley. He willed the land and 200 slaves, all listed by name to his daughter, Sicily Bell Mobley at the time of her marriage to James Atkinson, Jr.

One of the Mobley ancestors, a sea captain gave the name Sicily to a daughter who was born on the island of Sicily and each succeeding generation since then has had a Sicily named in her honor. A handsome portrait of Cedarhurst's mistress, Cicely Mobley Atkinson hangs in the parlor of the two-story house built more than 100 years ago.

Mrs. Meador had an active life before settling at Cedarhurst. She was educated at All Healing Academy later Jones Academy, and still later Linwood College, near Gaffney, which was closed in 1922.

She came home and began teaching at Robinson school, a small one-teacher school near McFadden's Lake (now Walker Atkinson, Sr.'s lake). She walked to school every day and taught students who were almost as old as she was. One of her pupils was Mrs. Kate Robinson Jones who now lives at Lewis Turnout.

Mrs. Meador was teaching at Leeds, another one-teacher school, when she met and married William Daniel Hawkins Meador. Three children, Guy Atkinson, Etta Bell and Emy Mildred Meador were born to the couple before they moved to Cedarhurst Plantation to take care of her parents in their old age. They built a home nearby which is now owned by Guy Meador.

A daughter, Sarah Elizabeth, and a son, Hawkins, were born at Cedarhurst. On April 6, 1911, Mr. Meador died and twenty days later Mrs. Meador gave birth to her sixth child, a daughter, Addie.

So it was that Mrs. Meador found herself the sole support of six children, the oldest only 11 years old. She went back to teaching and during the next few years she taught at High Point School on the Rock Hill Road, at the Ford School in the Orr's Community, at Pryor School that she and Isaac Turner founded, and at Oakley Hall School.

Pryor School, later used as a Negro school, was located on what is now the Oliphant farm on Lancaster Road.

All this time Mrs. Meador operated her farm with the help of her children and sharecroppers. As she put it, "We dug our living right out of the soil" with emphasis always on good food and balanced diets for the growing children.

She was progressive, a step ahead of most local farmers. She was first to put out nursery fruit trees and a vineyard. Each time she planted her garden, she put in a new vegetable and taught her children to eat and like it. Surplus fruits and vegetables were canned or stored for the winter. There were many things to do. Mrs. Meador sewed beautifully and worked with special skill in remaking garments. She attended farm meetings and was active in the Orrs Home Demonstration Club in order to learn the best farming and homemaking skills.

Mrs. Meador was careful to put first things first, as shown by this foreword to the History of Orr's Baptist Church:

"The year 1912 marks the beginning of religious organization in the present Orrs Community. At this time a Sunday school was organized which was the result of a desire dwelling the heart of a mother, Mrs. Emma A. Meador, who wanted religious training for her children as well as those around her. The need was great as quite a number of people had no regular Sunday School or church connections. This good woman ordered the necessary literature with which to begin and secured the consent of Miss Bell Atkinson (her sister) to use her home for meetings.

Accordingly the Atkinson Baptist Sunday School was organized with H. B. Workman as superintendent. The Sunday School grew and prospered."

From the beginning, the Orrs Baptist Church was officially organized on January 27, 1918, with 19 charter members. The same year a Womans Missionary Society was organized with Mrs. Meador as president. She held the office for 25 years. She believed in and practiced the tithe, and always supported the Christmas Seal Sale and other campaigns for the public good. In her later years, Mrs. Meador received an unexpected bonus, a sum of money that had accumulated in teacher retirement funds. Her first act was to deduct the tithe and give it to Orrs Church.

Mrs. Meador placed her values wisely. She was well read and took care in selecting books for her children to read. She read aloud to them in the family circle, with the Bible and "Five Little Peppers" as two of their favorites.

An example of her intuition occurred when buyers were combing the country for scrap iron. There were piles of it on the Cedarhurst farm and she could well have used the money, but she refused to sell.

"Japan is buying and using that scrap iron to war on other countries," she said. "Someday they may use it on us."

If her own children or the school children she taught said, "I can't do that," Mrs. Meador would frequently respond, "Find a way to do it or make one. Don't take no for an answer."

In 1945, in a letter to a daughter, she wrote: "I've found that we can't build our hopes on anything to be permanent except trust in God. We must keep our courage in spite of disappointments and sorrows. There are so many more things to enjoy than to annoy if we only take time to value the count."

Some proverbs she lived by and quoted often to her children are:

- If you can't be the "bell cow," gallop with the gang.
- Children always come home to roost.
- Pride goeth before a fall.
- Pretty is as pretty does.
- A word to the wise is sufficient.
- and many more.

There were some dark valleys for Mrs. Meador to pass through. In 1923, shortly after she and her family moved into the Cedarhurst plantation home to live with her sister, Miss Bell Atkinson, Hawkins, her 15-year-old son died. He came to a sudden and tragic death on Christmas morning while he and two companions were out in a pasture testing their marksmanship with an air rifle. A shot gun had been placed on the ground, and in some way was discharged. "Little Hawkins," as he was known, was killed instantly

Mrs. Meador's oldest daughter, Mrs. Etta Bell Meador Mahaley of Charlotte, N. C. died in 1949.

At age 62, Mrs. Meador stood and passed the Civil Service examination and accepted a job in the Social Security office in Columbia, where she lived and worked until her retirement. During her teaching career she took special courses for nine years at the Winthrop College Study Center held on Saturdays at Chester High School. Daughters Mildred and Sarah took the courses with her.

Mrs. Meador was active in restoring old cemeteries, especially the Atkinson family cemetery on Pinckney Road. She and her son, Guy, cleared debris, made a road into the Cemetery and erected markers.

Mrs. Meador died on September 15, 1964 shortly after passing her 87th birthday. She was an invalid for many months but never lost her interest in people and events. She was an ardent sports fan, especially of the Chester Cyclones and Cyclonettes. Even after she was bedridden she listened to the radio broadcasts of every game. She coached from her bed and called the plays even though she could never quite tell the difference between a first down and a touchdown. She knew the players by name and fussed at them when they made mistakes and clapped her feeble hands in applause when they executed a good play.

A grandson, Capt. Hawkins Meador Conrad, writing to his parents from a U. S. Army post in Germany in 1963, aptly described Mrs. Meador's life:

"Throughout her lifetime, Granny has had so little of intrinsic value to give her loved ones, but she has given so unselfishly of things that are far, far better. Her love and self-sacrifice, coupled with Character has made the work "Granny" mean more than my maternal grandmother. It stands for a goal for which all must strive.

"I have since learned how far from true my assumption was, and how fortunate I have been to be exposed to good example has come from Granny, both directly and through her children. I hope that the example that I set before my children can be as good, and I hope that when I reach the evening of life, it can be said of me, as it can certainly be said of Granny, "Well done."

Mrs. Meador's surviving children are Sarah Meador (Mrs. R. Y.) McLemore, Mildred Meador (Mrs. G. T.) Conrad, and Guy A. Meador, all of Chester, and Addie Meador (Mrs. Henry L., Jr.) Sneed of Florence

Thanks

We want to thank Peggy Brakefield for all the copies of the obituaries for 2007 from the Chester News and Reporter. They were all alphabetized and easy to find for our researchers. Peggy is so thoughtful to share these for use in our library each year

The Washington, Robert and Albert Gist Family

Washington and Laura Gist were born in Pinckneyville in 1830. They were the parents of seven known children: Robert 1854, Margaret 1856, Cluff 1858, Madison 1860, Scott 1862, Nancy 1866, and John 1867. Some of Washington's relatives were Dandy, Joseph, Marsilla, and Spencer Gist and a sister, Melissa.

Robert Gist the eldest son married Florida Mac of Santuc. Their children were Albert 1879, General, Henry 1880, and Robbie. General and his wife Carry Farr moved to Union Township. Their known child was Henry. Henry Gist and his family moved to Jonesville. He was the father of Robert, William, Landrum, and Lynelle Jefferson. Robbie married Arthur Jeter of Jonesville. They became the proud parents of four children, Odessa, Florida, Savannah(Van), and Deothus. During the early 1920's, they moved to Spartanburg, South Carolina.

Albert, son of Robert and Florida, married Beulah Jeter, the daughter of Lewis and Victoria (Murphy) Howard of Suntuc. Their children, Robert, Sallie, and Sadie, were born in Santuc. Later, they moved to the Jonesville community. The following children were born: Florie, Berry, Bessie, Alfred, Willie, Johnny, Leroy, Catherine, and Oscar.

Robert Gist, the son of Albert and Beulah Gist died in the early 1900's. He is buried in the Bethany Baptist Church Cemetery in Jonesville.

Sallie married Charlie Martin of Jenkinsville. Their children were Mary Charles and Isaac. Sallie is buried in the Bethany Baptist Church Cemetery.

Sadie, daughter of Albert and Beulah, married Herbert Hughes of Jonesville. Their children were Herbert Jr., Leroy, Ruthie Mae, Betty Jean, Whilamenia, and Doris all born in Jonesville. During the 1940's, they moved to Greensboro, North Carolina.

Berry, son of Albert and Beulah, married Nancy Lindsay, daughter of Mott Lindsay of Pinckneyville. They had one son, Berry Jr., and moved to Detroit, Michigan. Berry departed his life in 1968 and Nancy in 1972. Berry is buried in the Bethany Baptist Church Cemetery in Jonesville, and Nancy is buried in Detroit, Mich.

Florie, daughter of Albert and Beulah, married Austell Robinson, the son of Sanford and Mary (Woodson) Robinson. Their children are Austell Jr., James Oscar (deceased August 1956), Twins: Wilson and William, Ruth Hazel, Dorothy Helon, Queen Ethel, and Lonnie Allen and a daughter Mary Louise who died in infancy. All were born in Union.

Bessie, daughter of Albert and Beulah, married William J. Hill of Jonesville. They were the parents of one daughter, Elwillie. They moved to New York during the 1940's. Bessie departed her life in 1965 and is buried in New York.

Albert and Beulah's family were united with Foster Chapel Baptist Church in Jonesville.

_____ Ruth H. Robinson

The State of South Carolina Chester District

Know all men by these presents that we John Hartness and Elizabeth, his wife, William Downing and Mary, his wife, John McFadden and Margaret, his wife, John Stephenson and Elenor, his wife and Jean Cooper of the State aforesaid and the District of York and Chester for and in consideration of three hundred dollars to us in hand paid by Patrick Fenney of the District & State aforesaid have granted bargained sold and released and by these presents do grant bargain sell and release unto the said Patrick Fenney all that parsol or tract of land containing by estimation one hundred and fifty one acres be the same more or less situate in the district aforesaid on the Waters of Rockey Creek being a part of a Tract of land originally granted to Alexr. Walker; from him to Philip Walker his son; thence to Samuel Walker and also convoid by Hugh Knox, Sheriff by virtue of execution against the Estate of Phillip Walker Dec'd. To the above named Samuel Walker and from said Walker to William Brown and from Sd. Brown to John Cooper now dec'd. Which the above conveyors is the heirs of said Cooper dec'd. Beginning at a Hickory, Candis McFadden on Jesse Henkels land N.40.W 24.50 to a white oak on Alexr. Walkers land S.44.W49.50 to a Stake on Alexr. Walkers land thence Sou 43.81 Est. 26 to a stake on William Brown land thence N45 Est 20 Ellum Station thence to a red oak thence N81E to a pine thence N22.Es.12.80 to a Hickory thence N45 to the Beginning Corner Together with all and singular the rights members Hereditaments and appertenances to the said premises belonging or in any wise incident or appertining To have and to hold all and singular the premises before mentioned Unto the said Patrick Fenney his heirs and assigns forever and we do hereby bind ourselves our heirs executors and administrators to Warrant& forever defend all and singular the premises unto the said Patrick Phenney his heirs & assigns against ourselves our heirs and against every person Whomsoever lawfully claiming or to claim the same or any part thereof.

Witness our hands and Seals this fourteen day of Jany in the year of our Lord one Thousand Eight Hundred and Eight and in the Thirty Second Year of the American Independence

In presence of us	John Hartness	(LS)
John Kelsey	Wm. Downing	(LS)
James Gill	Mary Downing	(LS)
	John McFadden	(LS)
	her	
	Margret X McFadden	(LS)
	mark	
	her	
	Eliner X Stephenson	(LS)
	Mark	
	John Stephenson	(LS)
	Jane Cooper	(LS)

South Carolina Chester District

Personally appeared John Kelso before me the subscribing Justice and saith on his oath that he seen John Hartness, William Downing, Mary his wife, John McFadden, Margret his wife, John Stephenson, Ellinor his wife and Jean Cooper seal sign or make their mark and deliver the within Deed for the use therein mentioned and also seen James Gill sign his name as a Witness with himself to the within deed

Sworn to and Subscribed this 18th day of April 1808

Geo. Gill J. Q.

Jno. Kelsey

Taken from Deed Book N, page 472,
in the office of Clerk of Court for Chester County, S. C.

Carrie Agnew

Funeral services for Mrs. Carrie Knox Agnew were held Wednesday, Feb. 24, 1933, at the home of her daughter, Mrs. Mary Roddey, at Fort Lawn, with Rev. J. M. Forbis, pastor of the Great Falls Presbyterian Church, and Rev. J. Oscar Mann, pastor of the Purity Presbyterian church of Chester conducting the services. Interment was made in the Union Associate Reformed Presbyterian church cemetery at Richburg.

Mrs. Agnew, who was seventy-six years of age, died Tuesday at the home of her daughter, Mrs. Roddey after an illness of several weeks following a stroke and paralysis.

She was a native of the Knox community of Chester County, and a former resident of Chester. A life-long member of the Presbyterian Church, she always took an active part in its various enterprises. She was well known throughout the county, and had numerous friends who were grieved to learn of her death.

Besides her husband, Mr. William B. Agnew, Mrs. Agnew is survived by two daughters, Mrs. Mary Roddey and Miss Elizabeth Agnew, and five step-children: Mrs. C. B. Gladden of Chester Mrs. M. A. Galloway, of Greenville; Mrs. J. B. McFadden of Great Falls; Mr. John S. Agnew of Halselville, and Mr. William C. Agnew of Charlotte.

Woods - Faucette

Matthew Woods came to Chester County S. C. about 1805 from Orange County, N. C. He and his wife Margaret (Faucette) were wed 12 November 1795 near Hillsboro, N.C. according to Mrs. White's records.

Matthew Woods, who is buried with his wife in the old Woods graveyard in the western section of the county, on the Broad River, was the progenitor of the Chester County family of that name who are prominent to the present day in the civic and social life of this area. Matthew Woods is # ? on the chart. He is the son of John Woods of Orange County, N. C. # 60 on the chart, and his wife, Margaret Mebane #61

Will of John Woods, sg. May 17, 1792 Orange County, N. C.
Margaret ...his wife (Mrs. White gives no reference as to how she knew Margaret was nee Mebane).

Matthew Woods- son

John - son

Richard - son

Margaret - daughter

Nancy - daughter

Sarah - daughter

Matthew Woods was born Feb. 6, 1765 and died Oct. 4, 1826

Margaret Faucette Woods was born January 10, 1776 and died October 12 1856

Their daughter Elizabeth wed Walter Edward Waters, and are Mrs. Macaulay's great-grandparents. Their son Richard Woods was a signer of the Ordinance of Secession from Chester County.

Margaret (Faucette) Woods # 31 on the chart, was daughter of James Faucette and wife Susannah Woods #62 and 63 on the chart, Recorded below from the genealogy compiled by Mrs. White.

James Faucette Will sg. 18 July 1801, Orange Co. N. C.

Susannah - his wife

Rachel - daughter

Margaret - daughter

Mary - daughter - wed Charles Wortham. She d. Aug. 7, 1827

Lucy - daughter -wed William Smith

Mrs. White states that Susannah, wife of James Faucette, above, was dtr. to Hugh Woods and wife Mary _____ # 126 & 127 on chart, who lived and died in Orange County, N. C.

Hugh Woods Will sg. 18 Jan. 1794, proven 1800 Orange Co. N. C.

Wife Mary

Joseph - son

Elihugh- son

John – son

Susannah – daughter-wife of James Faucette

Mrs. White states that she died August 8, 1835 and was buried in Little River Presbyterian Churchyard

Sarah – daughter

Elizabeth – daughter

Mary Ann – daughter

Rebekah – wife of George Riggs – daughter

We want to thank Jerry Locke and Garner Agee for the updated copy of the "Union Cemetery Directory". In the 1980's Jean Agee and Jean Nichols copied the cemetery. Now it is complete with the last burial in June 2008.

John J. Stringfellow

March 5, 1931- Leading Man of city is dead. Passed Away early Thursday morning – Funeral this after noon – One of County's oldest Confederate Veterans.

Friends in the city and vicinity were shocked and grieved to learn of the death at an early hour Thursday morning of Dr. John James Stringfellow, prominent and beloved citizen of Chester following an illness of several days at the residence on York Street. Dr. Stringfellow had a severe attack of pneumonia about six weeks ago and despite his advanced age appeared to be regaining his strength until a few days ago when he began to decline.

Funeral services have been arranged for this afternoon at four o'clock at Purity Presbyterian church, of which the deceased was a loyal member and for many years an officer. The officiating minister will be Rev. J. O. Mann, pastor of the church. Interment will be in Evergreen cemetery.

John James Stringfellow was ninety-three years of age last June, having been born on June 10th, 1837 at the old home in the Fishing Creek section of this county. He was the son of the late Mr. and Mrs. Robert Stringfellow, well known and outstanding citizens of this portion of the Carolinas.

Dr. Stringfellow lived all his life in this section and city. He graduated from Davidson College in the class of 1860 and is said to have been its oldest living graduate. He later took a

medical course in Columbia, and at the outbreak of the Confederate war he left school and enlisted in the Calhoun Guards Company of the Sixth Regiment of South Carolina. He was in Charleston when the initial gun was fired. He was the last surviving member of the 360 soldiers that left Chester at the beginning of the war, that number being embraced in four companies. He was first wounded in the Battle of Seven Pines in May 1862 and second time in the battle around Petersburg in March, 1865. He was one of the oldest veterans in Chester County.

On his return from the war he opened a drug store with Dr. S. F. Babcock, later purchasing the interest of Dr. Babcock and operated it himself for a number of years until forced to give it up on account of failing eyesight. He continued his farming operations and for many years was one of the county's most extensive farmers.

Dr. Stringfellow was a man outstanding in many ways. Of the highest integrity, he practiced this trait in every walk of life, business, social, civic and religious and he was beloved and admired by many throughout the county. To him a friend was one not only to be known and loved but one to be served to the limit of his ability, and this he did. He was a devoted member of the Purity Presbyterian church and had been an elder since March 21, 1875. He was superintendent of the Sunday school for many years. He had represented his church in many of its courts, serving always with dignity and ability and at all times reflected credit upon his denomination.

Dr. Stringfellow was married to Miss Isabel Hemphill, who died a number of years ago. An only son, Mr. James Stringfellow, also died some years ago. He is survived by one brother, Mr. William B. Stringfellow, and two sisters, Mrs. P. A. Mills and Miss Janie Stringfellow, all of Chester

QUERIES

Remember: You may send queries to us any time of the year. We usually get them only when you renew your membership each year because it is on the paper you send back to us.

We will put as many queries in each "Bulletin" as we have room. So please let us hear from you. We will try to put them in the next "Bulletin" after we receive them.

Also, if you have an article(s) on your family that would be suitable for the "Bulletin", send it to us and we will publish it if possible.

We want to thank Billy White for his continued support in sharing articles for use in our "Bulletin". His knowledge over the years has helped many to find that missing link. We appreciate the following articles on the Simpson family and Sleeker family

SOME SIMPSON FAMILY NOTES

Family tradition has it that three Simpson brothers immigrated to the United States from Northern Ireland, through Charleston, S.C. William Simpson was a farmer who settled in Lancaster County, S.C. Walter Simpson was a physician who settled permanently in Pennsylvania. John Simpson was a mechanical genius who settled in Chester County, S.C. It is with the family of John Simpson that this sketch is concerned.

John Simpson was born in Northern Ireland on March 9, 1770, and died in Chester County, S.C., on April 23, 1834. He was married three times: first to Mary Jane Adams, second to (---) Miller (no issue), and third to Sarah Stone.

Issue by the first wife, Mary Jane Adams:

- I. Mary ("Molly") Simpson. Married William Hamilton. She was born on Dec. 11, 1800, and died on Nov. 24, 1867.
- II. Solomon Simpson. Born 1798. In a naturalization petition filed on Oct. 22, 1827, Solomon Simpson stated that he was born in the Kingdom of Ireland and that he had formerly resided in the Parish of Donaghady, County Tyrone, Ireland. He gave his age as about 29 years. He also declared that he arrived in Charleston, S.C., from Ireland in the year 1821. He married Rebecca Wylie.
- III. John Simpson, Jr. Born Feb. 9, 1803. Died July 12, 1884. Owing to his mechanical ingenuity, he was widely referred to as "the smartest man in Chester County." Married first in 1823 to Sarah ("Sallie") Wylie. Born 1803. Died May 15, 1866. Issue:
 - A. Thomas Elihu Simpson. Born near Chester on Mar. 2, 1824. Died on Sept. 21, 1874. He lived near Edgemoor and manufactured cotton gins. He served in the Engineer's Department of the Confederate States Army. Married Margaret Bigham. Issue:
 1. Brown Simpson. Married Mattie Bigham.
 2. Francis McDonald Simpson. Born May 31, 1855. He was a farmer and was possessed of mechanical talents of a high order. He was an active member and officer of the Associate Reformed Presbyterian Church. Married Harriet ("Hattie") Wylie, who died in 1915. Issue:
 - a. William Elihu Simpson, M.D. Born at Edgemoor, S.C., on Mar. 13, 1883. He earned the Bachelor of Arts degree at Erskine College in 1908 and the Doctor of Medicine degree from the Medical College of South Carolina in 1915. He served his internship at Fennell Infirmary in Rock Hill, S.C., and then spent two terms in post-graduate work in Chicago, where he specialized in children's diseases. He set up his practice of medicine at Rock Hill in 1916. After a time, he brought into his practice John L. Bundy, M.D. Dr. W. E. Simpson was married on July 21, 1915, to Lydia Beckett of John's Island, S.C. Issue:
 - 1' Harriet Simpson. She was married to Frank M. Swift of St. Simon's Island, Georgia. She died on Thursday, Jan. 9, 2003, at Hospice of the Golden Isles in Brunswick, Georgia. Age:84. She was a graduate of Winthrop College. Issue: two children.

Dr. Ellie Simpson married second Josephine Hull of Rock Hill, S.C.

CASPAR SLIGER, SR.: ONE OF THE VERY EARLIEST SETTLERS IN CHESTER COUNTY

The German immigrant Caspar Sliger, Sr., and his wife, Elizabeth, received on Sept. 25, 1754, a Royal grant from the Governor of North Carolina comprising some 768 acres located in the fork of Fishing Creek and the Catawba River. This tract ultimately achieved notoriety in 1780 when the Battle of Fishing Creek of the American Revolution was fought in the peach orchard and cornfield of Caspar Sliger, who had occupied the land since c.1750-52.

On Sept. 1, 1768, Caspar Sliger and Elizabeth sold one half of their 768-acre tract of land for £5 North Carolina money to one Archibald Elliott. The deed, witnessed by Caspar Culp (a close neighbor of the Sligers) and James Clark, was recorded at the April term of court in 1769. The tract aforesaid was located in those days in the Royal Province of North Carolina.

Caspar Sliger, Sr., was born in Germany c.1710-20 and immigrated to America, landing in Pennsylvania. He married Elizabeth (---). He died after Feb. 17, 1792. Issue:

- I. Caspar Sliger (sometimes Sleeker). He was known as "Caspar Sliger, Jr." and was born c.1750-55, probably in what became South Carolina. Died 1805, between Oct. 1 and Nov. 30. Married (---), who died before 1805. Issue:
 - A. George Sliger. A minor at the time of his father's death.
- II. Elizabeth Sliger. Married William Shadrick. He died about the same time as his brother-in-law Caspar Sliger, Jr.
- III. George Sliger. Born c.1758. Died 1788. Married Nancy (Agness) White, daughter of Edward White and wife, Elizabeth (Martin) Lockhart. She died after 1810. Issue:
 - A. Elizabeth Sliger. Born 1779. Died after 1850. Married Nathaniel McCammon. Issue:
 1. John McCammon.
 2. William McCammon.
 - B. George Sliger, Jr. Born c.1781. Removed to Williamson Co., Tennessee.
 - C. William Sliger, Jr. Born c.1783. Died before 1819.
- IV. William Sliger. Born c.1745 probably in Pennsylvania. Married Sarah (---). See Chester County, S.C., Deed Book S, page 82. William Sliger was a soldier of the Revolution. According to the Census of 1790, the Sligers had one son and three daughters.

----- # -----

The name SLIGER is found in the eighteenth-century records spelled variously Sliger, Sleeker, Suger, Skipper, Sleager, Keagar. The original German spelling was doubtless Schlächer. The family name of Caspar Sliger's neighbor Caspar Culp is found in the records under both the original German Kolb and Kulp, as well as under the familiar American Culp, and sometimes Kolp.

- b. Albert McDonald Simpson. Married Ella Henry.
3. Belle Simpson. Married Stewart Ferguson.
4. Henry Calvin Simpson. Born Oct. 1, 1860. Died May 22, 1927. Married on Jan. 25, 1882, to Sarah ("Sallie") Pauline Wylie. Born Feb. 17, 1853. Died May 23, 1928. Issue:
- a. William Blair Simpson. Born Mar. 17, 1883. Died Nov. 30, 1964. Married Janie Whiteside. Born May 11, 1882. Died Dec. 7, 1966. Issue:
- 1' William Blair Simpson, Jr. Born Nov. 27, 1907. Died Nov. 27, 1984. Married Adelaide Williams, who died on Feb. 18, 2002. Issue:
- a' Lurline Simpson. Married on April 22, 1961, to John Mears. (Div.) Issue:
- 1'' Sallie Simpson Mears.
2'' Jennifer Alice Mears.
- 2' Henry Betts Simpson. Died young.
3' Martha Lurline Simpson. Died young.
4' Margaret Wylie Simpson. Died young.
5' (Infant son).
- b. Florence May Simpson. Born May 27, 1893. Died June 20, 1984. Married Martin Luther Leslie. Born May 18, 1887. Died Dec. 8, 1938. Issue:
- 1' Pauline Leslie. Born June 23, 1917. Died Aug. 6, 1921.
2' David C. Leslie. Born Dec. 18, 1919. Married Ruth Gettys. Issue:
- a' Lynn Leslie.
b' Harriette Leslie.
c' David C. Leslie, Jr.
d' Kirk Leslie.
- 3' Martin Luther Leslie, Jr. Born May 31, 1922. Married Anna Kate Williams. Issue:
- a' Marguerite Leslie. Married William McGowan.
- 4' Jean Leslie. Born Jan. 15, 1924. Married Harold Auten. Issue:
- a' Jerry Auten.
b' Cynthia Auten.
c' Pauline Auten.
d' Harold Auten, Jr.
- 5' Rebecca Leslie. Born Feb. 2, 1926. Married Joe Simpson Faris. Issue:
- a' Joe Simpson Faris, Jr.

5. Agnes Simpson.
6. John Simpson III.

B. Martha Simpson.

C. Mary J. Simpson. Married William A. Burns.

D. Margaret Simpson. Born Sept. 14, 1829. Died Oct. 1, 1862. Married John C. Moffett of Tennessee.

E. William Blackstock Simpson. Born July 9, 1831. Died Jan. 5, 1901. Married on Jan. 14, 1858, to Margaret Millen, daughter of John Millen and sister of Harper Millen. Born July 26, 1837. Died Oct. 13, 1901. Issue:

1. John Millen Simpson. Born Nov. 16, 1858. Died Nov. 21, 1928. Married Rachel Elizabeth Dunbar.
2. Joseph Wylie Simpson. Born July 30, 1860. Died Feb. 6, 1924. Married Martha Eliza Lesslie. Born June 5, 1855. Died Dec. 13, 1927. Issue:

- a. Rev. W. T. Simpson. Married Easter Hooten.
- b. Mattie Belle Simpson. Married on June 17, 1913, to James Craig Faris, son of John A. and Mary (Wylie) Faris.
- c. Ollie Simpson. Married Earle P. Glasscock.
- d. Mary Simpson. Unmarried. Taught in the public schools.
- e. Nannie Simpson. Unmarried. Taught in the public schools.
- f. Lessie Simpson. Married Nathaniel Lesslie.
- g. Jane Wylie Simpson. Died in infancy.

3. Barbara Isabel Simpson. Born Oct. 12, 1862. Died June 21, 1927. Married Jugh J. Millen.

4. William Harper Simpson. Born Oct. 15, 1864. Married Lou Gill.

5. Sallie Simpson. Born Apr. 20, 1867. Died Mar. 27, 1909. Married Thomas Faulkner Lesslie. Born Sept. 4, 1863. Died Sept., 1922. She was his first wife. They were married on Dec. 16, 1884. His second wife was Lillie E. Boyce. Issue by first wife:

- a. Joseph Lesslie. Married Nette Boyd.
- b. Bessie Lesslie. Married Kilgore Williford.
- c. Alma Lesslie. Married Charles Anderson.
- d. Dallas Lesslie. Married Ruby Hook.

6. Martha ("Mattie") Millen Simpson. Born Dec. 17, 1868. Died April 25, 1922. Married John Simpson Neely. Born Jan. 1, 1862. He was the son of Lt. Willis Wherry Neely, C.S.A., and his wife, Martha Caroline White, daughter of Peter and Martha Randal (Rives) White. Issue:

- a. Willis Simpson Neely. Born Mar. 22, 1888.
- b. Mary Gill Neely. Born Sept. 22, 1889. Married Otis Plaxico Thompson of Rock Hill, S.C.
- c. Margaret White Neely. Born May 29, 1892.
- d. (Twin). Born and died 1895.
- e. (Twin). Born and died 1895.
- f. John Millen Neely.

7. Wilson Simpson. Born Nov. 11, 1871. Died May 22, 1901.
8. Mary Simpson. Born July 14, 1874. Married Robert Lee Brewer.

F. John Hemphill Simpson. Born Aug. 3, 1834. Married Elizabeth Moffett on May 6, 1866. He was a minister of the A. R. P. Synod.

G. Sarah Simpson. Born Dec. 25, 1836. Married John W. Baird on Aug. 19, 1858.

H. Henry Calvin Simpson.

I. Isaiah Simpson, D.D.S. Born in October, 1838. Died in 1911. Married on June 6, 1867, to Sally Patton. Born Mar. 2, 1838. Died in 1921. Dr. I. Simpson was regarded as one of the most progressive and gifted dentists in the South. He was a pioneer in the field of filling teeth below the gum line. His office was located at Rock Hill, S.C. Issue:

1. William Robinson Simpson, D.D.S. Married Anna Ross Pride, daughter of Col. C. J. Pride. Issue:

- a. William R. Simpson, Jr. Married Elizabeth Truesdale. He served in the U. S. Navy in World War I and was in the 1930's and 1940's assistant postmaster at Rock Hill. Issue:

- 1' Robert Truesdale Simpson.
- 2' William R. Simpson III.

- b. Cadwallader Pride Simpson.

- c. Allen Jones Simpson.

- d. John Sitgreaves Simpson.

2. Capt. R. L. Simpson of Spencer, N.C.

3. E. C. Simpson of Andrews, N.C., and Ball Ground, Ga.

4. Capt. Neil P. Simpson of Rock Hill.

5. Rev. J. Walter Simpson of Concord, N.C.

6. Mrs. W. D. Craig of Lancaster, S.C.

7. Amelia Simpson of Rock Hill and Atlanta, Ga.

John Simpson, Jr. (1803-1884) was married second on July 10, 1871 to Nancy Lathan.

Issue of John Simpson (1770-1834) by his third wife, Sarah Stone:

IV. Eliza Simpson. Born Aug. 2, 1811. Died Oct. 14, 1885. Married in 1828 to John Bell Fennell, M.D. Born 1810. Died 1878. Issue: (among others)

A. James Flenniken Fennell. Married Alethia Beckham. Issue:

1. William Wallace Fennell, M.D. Born Aug. 29, 1869. Died at Rock Hill, S.C., on Oct. 11, 1926. He was one of South Carolina's most gifted, distinguished surgeons. He owned and operated Fennell Infirmary at Rock Hill. At his death he was chairman of the Board of Trustees of the Medical College of South Carolina. He was married on Jan. 11, 1899, to Mary Rose Lyle. Born April 2, 1877. She was a sister of Dr. David Lyle, prominent physician of Rock Hill, mayor of Rock Hill, and member of the Senate of South Carolina from York County. Issue:

a. Alethia Fennell. Married William Wilson Pate of Greenville, S.C.,
businessman and manufacturer.

b. Henrietta ("Totsy") Fennell. Married on Nov. 13, 1935, to
Joab Mauldin Lesesne, Ph.D., president of Erskine College, Due
West, S.C. Issue:

1' William Wallace Fennell Lesesne. Married Emilie Kelly.

2' Joab Mauldin Lesesne, Jr., Ph.D. He was for many years the
distinguished president of Wofford College, Spartanburg, S.C.
Married Mary Ruth Osborne.

c. William Wallace Fennell, Jr., M.D. Surgeon at Rock Hill, S.C.
Married Emily Cope of Savannah, Ga.

2. Julia Beckham Fennell. Married James Strait and removed to
the Far West in 1916.

3. Alva Curtis Fennell. Born July 6, 1870. He was superintendent
of the Manchester Mill at Rock Hill for many years. Married Willie
Adams on March 19, 1904.

4. John Bratton Fennell. Born Feb. 27, 1875. Married Louise O. Summers
of Columbia, S.C.

5. Alethia Addie Fennell. Married (---) Hegler of Oklahoma.

V. Hugh Simpson. Married Janet Lyle. Born 1820. Died 1897. Issue:

A. Mary Jane Simpson. Married John R. Patton of the Neely's Creek section
of York County, S.C. Issue: (among others)

1. Mary Patton. Married John Newton Gaston, M.D., of Edgemoor, S.C.
Issue: (among others)

a. Frank Patton Gaston, M.D. Married Dora Jones Dunlap of Rock Hill.

b. John Newton Gaston, Jr., M.D. Married Martha Wilbur of Charleston, S.C.

VI. William Stone Simpson. Married Elizabeth McCammon. Issue:

A. Green Stone Simpson. Married Eliza Jane Cherry.

B. Carrie Simpson. Married Albert Nunnery.

C. Margaret Simpson. Married (1) Williams Nichols; (2) Thomas Orr.

D. William Duke Simpson. Married Molly Hefley.

E. Mary Jane Simpson. Married John Dickey.

F. Elizabeth Simpson. Died in infancy.

John Simpson (1770-1834) had no children by his second wife, (---) Miller.

This sketch of the Simpson family was prepared in May, 2007, in
tribute to the memory of Dr. W. Elihu Simpson ("Dr. Ellie Simpson").

-- W. B. W.

UNITED STATES PATENT OFFICE.

JOHN SIMPSON, OF LEWISVILLE, SOUTH CAROLINA.

IMPROVEMENT IN COTTON-GINS.

Specifications forming part of Letters Patent No. 113,411, dated August 14, 1855.

To all whom it may concern:

Be it known that I, JOHN SIMPSON, of Lewisville, in the district of Chester and State of South Carolina, have invented a new and improved cotton-gin for ginning both long staple and short staple cotton; and I do hereby declare that the following is a full, clear, and exact description thereof, reference being had to the accompanying drawings, making part of this specification—

Figure 1 being a side elevation of the gin; Fig. 2, a longitudinal vertical section through the center thereof, and Fig. 3 a view of the saw-cylinder and saws detached.

Like letters designate corresponding parts in the several figures.

The nature of my invention consists, first, in making the alternate saws of a different diameter from the intermediate saws, so that no two can catch the same fibers, and thereby break them, and in arranging the brush-cylinder so that the brushes shall reach all the saws and still be of equal lengths; secondly, in certain improvements in the arrangement of the machine for the purpose of more effectually discharging the cotton and of excluding vermin. The saws are placed at the usual distance apart—say about three-fourths of an inch—but the alternate ones, *ff*, are of greater diameter than the intermediate saws, *gg*. The difference of diameter need not be very great, all that is necessary being to prevent any two adjacent saws taking hold of the same fibers of cotton. I usually make the larger saws, *ff*, ten inches, and the smaller saws, *gg*, nine inches in diameter, thus causing the former to project half an inch beyond the latter. The distance between the alternate saws *ff* being too great to allow them to seize and break the same fibers of any cotton, consequently the long staple can be ginned as well as the short staple without injury thereto. The smaller saws, *gg*, seize such fibers as fall between the larger saws and carry them through the ribs, thereby preventing any waste. This arrangement of the saws does not in the least diminish the quantity of cotton which the machine is capable of giving. The brush-cylinder *B* is arranged with alternate wings *hh* projecting radially outward as much beyond the intermediate wings, *ii*, as the larger saws project beyond the smaller. The brushes on the wings *hh* sweep the smaller saws, *gg*, and those

on the wings *ii* sweep the larger saws, *ff*. The difference in the width of the wings causes all the brushes to be of equal length, and consequently of equal stiffness. The two sets of brushes of course alternate in the direction of the axis of the cylinder.

The ribs *D* and hopper *A* are constructed with especial reference to giving a proper rolling motion to the cotton therein. The outline of the hopper approaches very nearly a cylindrical shape, the upper portion, *b*, of the ribs, which form a part of its contour, being curved so as to conform thereto, and the side *e* of the hopper being nearly concentric with the opposite side, but forming the arc of a somewhat larger circle, thus rendering that side of the hopper a little deeper than the other in order that the cotton may by gravitation move in a direction opposite to that of the saws, which will consequently give the mass a rolling motion in the direction indicated by arrows *xxx*—Fig. 2. The middle portions, *c*, of the ribs between the saws curve upward to allow room for the saw-cylinder, but the lower portions, *d*, again curve, so as to conform to the cylindrical shape of the hopper. A removable board, *a*, slides into the front and lower side of the hopper for the purpose of affording access thereto to move substances which may have lodged there.

Over the discharging-passage *C* (which in my gin is longer from the brush-cylinder backward than usual) is inserted a board, *H*, substantially as shown in Fig. 2, for the purpose of filling the space in the upper part of the machine in which said brush-cylinder would operate to produce a current toward the saws, and also of narrowing the passage *C*, whereby a much stronger current of air is produced, and consequently the necessity of adding a spout outside of the machine to assist in discharging the cotton is obviated. Said board is hinged so that it can be turned up out of the way when the brush-cylinder is to be removed, which is accomplished by first raising the lid *G* and lifting the side boards, *F*, from the vertical grooves into which they slide.

Some cotton-gins have a stationary board corresponding to the mote-board *I* beneath the saws and brushes, leaving an opening, *n*, through which the motes fall. In my improved gin this mote-board is made wide enough to entirely close said opening *n*, and

is placed in grooves, so that it may be slid forward and backward at will, by which the blast of the fan is regulated in such a manner as to properly separate the cotton and notes. It is also used to entirely close the opening *n* when the gin is not in use. The opening *m* in the front of the machine is provided with a lid, *L*, which is allowed to hang down, as represented in the drawings, when the machine is in operation, but is made to shut said opening when the machine is laid by. A similar lid, *M*, is provided for closing the discharging-passage *C*. The object of thus closing up all the openings to the inside of the machine is to exclude vermin, and especially rats, which are well known to be exceedingly troublesome by eating up the brushes if left within their reach. This annoyance is so common that it is the general practice to take the brushes out of the gins every night after using and put them where the rats cannot reach them. With the device just described the above precaution is unnecessary.

What I claim as my invention, and desire to secure by Letters Patent, is—

1. Making the alternate saws of a greater diameter than the intermediate saws, in order

that no two adjacent ones may seize the same fibers, and thereby break them, but at the same time to gin as completely and rapidly as if the saws were all of the same diameter.

2. Arranging the brushes which sweep the smaller saws upon alternate wings projecting out from the center as much farther than the intermediate wings which bear the brushes for the sweeping larger saws as said saws project beyond the others, for the purpose of rendering the brushes all of a uniform and suitable length.

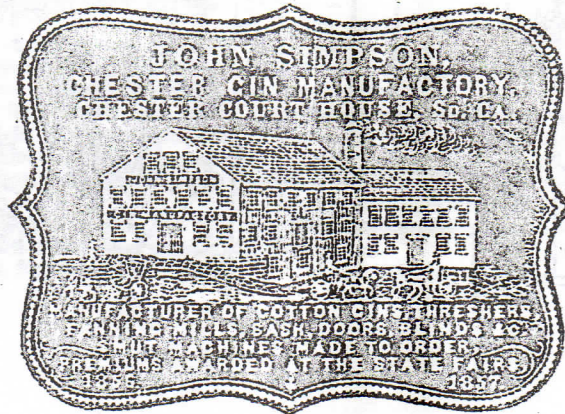
3. Arranging the mote-board *I* so as to slide backward or forward, for regulating the strength and direction of the blast, and properly separating the notes from the cotton, and also to be used as a lid to entirely close said space when the gin is not in use, substantially in the manner and for the purpose herein set forth.

The above specification of my improved cotton-gin signed by me this 21st day of April, 1855.

JOHN SIMPSON.

Witnesses:

J. S. BROWN,
CLEM S. STULE.

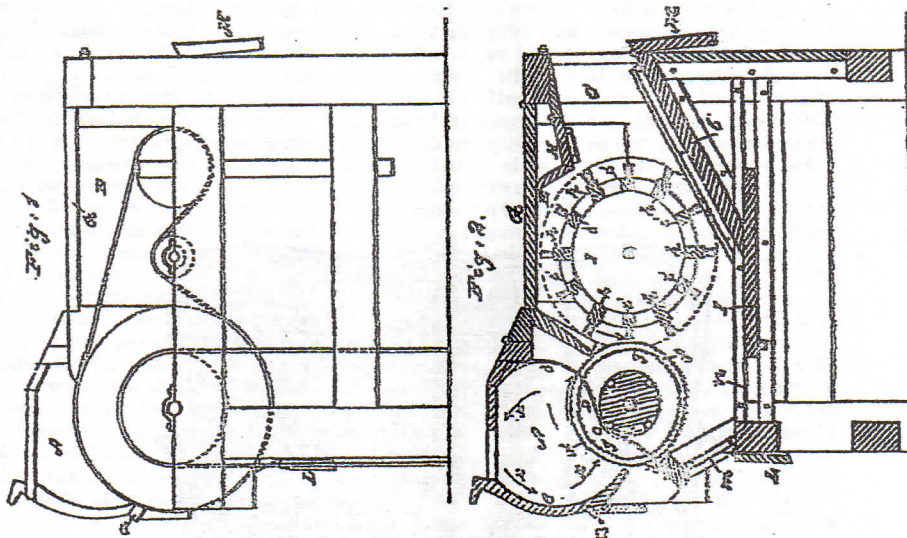
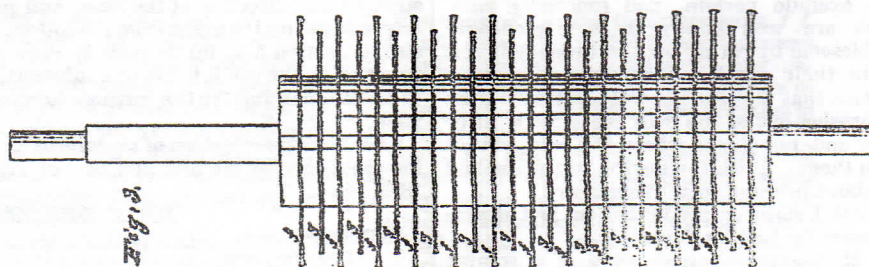


J. SIMPSON.

Cotton Gin.

No. 13,441.

Patented Aug. 14, 1855.



© 1855 J. Simpson

United States Patent Office.

JOHN SIMPSON, OF CHESTER, SOUTH CAROLINA.

Letters Patent No. 94,347, dated August 31, 1869.

IMPROVEMENT IN HAY AND COTTON-PRESSES.

The Schedule referred to in these Letters Patent and making part of the same.

To all whom it may concern:

Be it known that I, JOHN SIMPSON, of Chester, in the district of Chester, and State of South Carolina, have invented a new and useful Improvement in Presses for Cotton and other Substances; and I do hereby declare that the following is a full, clear, and exact description thereof, which will enable others skilled in the art to make and use the same; reference being had to the accompanying drawings, forming part of this specification.

This invention relates to improvements in presses for baling cotton, hay, &c., designed to provide a more simple and effective press than any now in use.

The invention consists in the combination and arrangement of parts, as will be hereinafter fully described, for discharging the bale from the press.

Figure 1 represents a front elevation of my improved press, and

Figure 2 represents a transverse sectional elevation of the same.

Similar letters of reference indicate corresponding parts.

I arrange two followers, A and B, to work in one case, to and from each other, and between which the substance to be pressed is placed.

Each follower is provided, at each end, with toothed racks D, those of the upper follower projecting downward, and those of the lower one projecting upward.

Between the racks of each follower, at each end, toothed pinions E are arranged to gear into them, so that when turned in one direction, they will force the followers together, and away from each other when turned in the opposite direction.

On the same shafts to which the pinions are secured are large spur-wheels F, into which other pinions G, on a common driving-shaft, H, running from end to end of the press, work.

The said shaft may be operated by winch-handles, cranks, or otherwise.

The case is provided with doors on each side, for the admission of the substance to be packed, and for the removal of the bales.

If required, the upper follower may be raised so high as to work out of gear with the pinions, and it may be removed, for filling the case with the substance to be packed.

To facilitate the removal of the bale from the press, I provide one or more cords, K, fastened at one end of the shaft H, so as to be wound thereon when the followers are separated, and secured at the other end to hooks at the top of the press, after passing across the space wherein the substance is to be packed, and along the opposite side, as shown in fig. 2, so as to pass around the substance forming the bale; and draw it out as the said cord is wound on the shaft.

The shaft H is provided with ratchet-wheels, which, together with suitable pawls, serve to hold the shaft and the followers in any required position.

Having thus described my invention, I claim as new, and desire to secure by Letters Patent—

1. The cords K, when so arranged as to be wound automatically upon the shaft H as the followers are moved apart, as herein shown and described, for the purpose set forth.

2. The arrangement of the followers A and B, racks D, pinions E, spur-wheels F, shaft H, and its pinions G, ratchets L, and pawls M, all arranged to operate together substantially as herein shown and described.

The above specification of my invention signed by me, this 21st day of February, 1869.

Witnesses: JOHN SIMPSON.

J. M. McDANIEL,
GEORGE MCCORMICK.

J. Simpson.
Hay Press.
N^o 4,347. Patented Aug. 31, 1869.

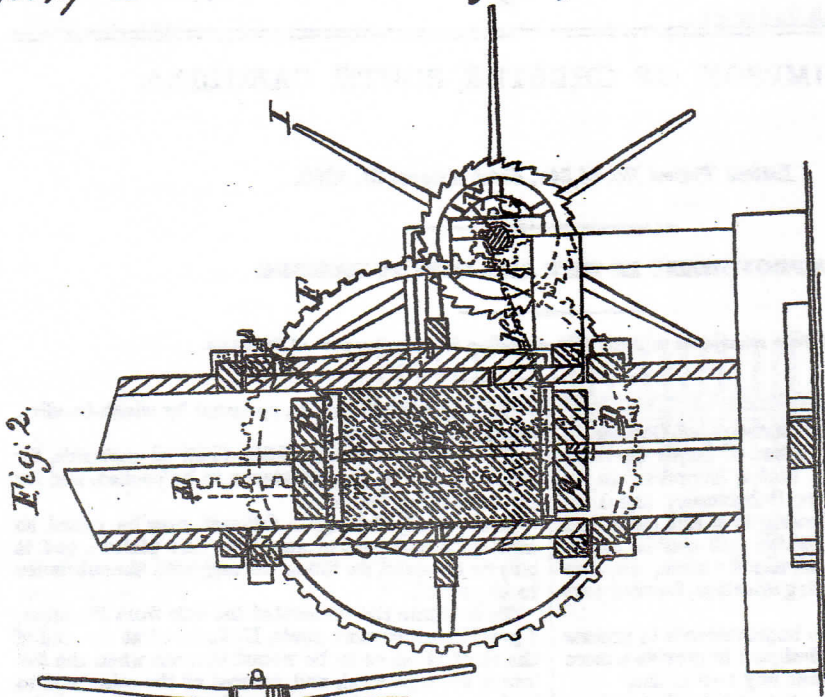


Fig. 2.

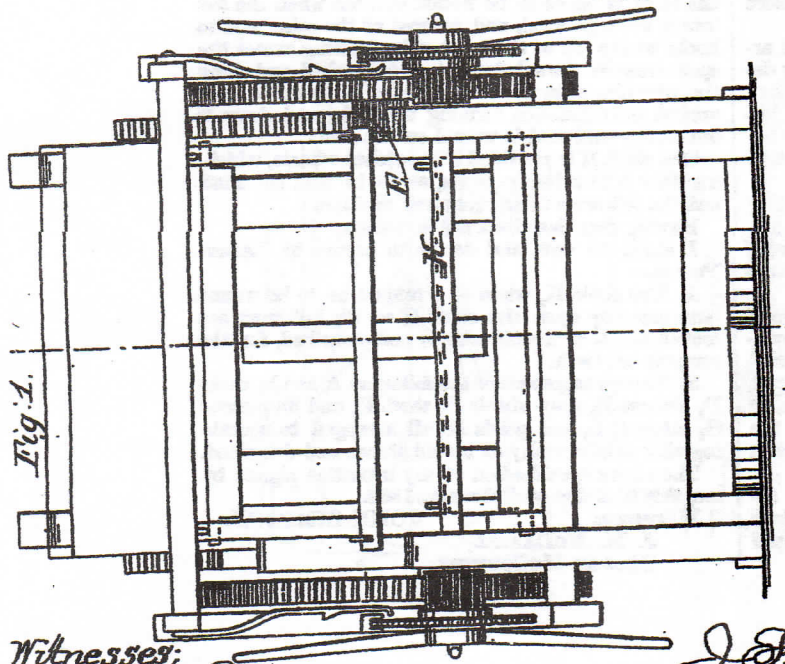


Fig. 1.

Witnesses;
John S. Brooks
Wm. Greene Collins.

Inventor;
J. Simpson
Wm. Munn

James Strong

Deed Book U – Page 509—Chester County, S. C.

State of South Carolina
Chester District

To all to whom it may concern, know ye, that I, James Strong, Senior, District and State aforesaid, for good causes and consideration moving me thereunto have given and granted and by these presents do give, grant and confirm unto the McDill family, the Moffat family, the Chestnut family, the Smith family, the Bonner family and the Mills family the liberty and privilege of enlarging their graveyard on William Chestnut's old place on any square and all the four squares and as large as they may think needful not to exceed one-half acre, and when enclosed do warrant and defend the same graveyard from myself and my heirs forever for the purpose of burying their dead.

Given under my hand and seal the 1st day of April 1823.

James Strong, Sr.

Witnessed by
Christopher Strong
James Miller
Before William Strong, Justice Peace.

Christopher Strong

Christopher Strong was born in Ireland on the 20th day of January 1760. With his parents, Charles and Elizabeth Strong, he came to Chester county in 1771, which was the time when numerous people of the Covenanter faith came to this section.

Along about 1793 Christopher Strong left Chester county, or district, and moved to Pendleton District. He remained there a few years and thence moved to Dickson county, Tennessee.

On September 6th, 1832 Strong made application to the Circuit Court of Dickson County for a Revolutionary soldier's pension. He stated that at that time he was seventy-two years old and was "first pressed into the public service in the City of Charleston and State of South Carolina, to which place he had gone with his wagon—that he was loaded with public stores and ordered to proceed from Charleston to Purusburg where the regular Continental Army was then stationed under the command of General Sinkhorn, who was Commander-in-chief of the Continental forces in those parts—that from Purusburg he went indirectly to Stone not far from Stone Point where Stone Battle was fought—that he did not himself personally engage in this conflict, but that he was ordered to remain with the wagons and public stores, which lay within hearing and almost within sight of the engagement."

Strong further stated that he "belonged regularly to a regiment in Chester county, State of South Carolina, where he resided, of which Edward Lacy was Colonel; Patrick McGriff, Lieutenant-Colonel, and John Adair, now of the State of Kentucky, was Major. That some time early in the summer of 1778 he was drafted along with Robert Cooper, his Lieutenant, out of his said Regiment of Fairfield county. Col. Robert Ellison was Major, and John Millen Captain—that he was marched from Fairfield county to Augusta, in the State of Georgia, where General Williams was Commander-in-Chief. From thence he marched to Florida, where they caught some straggling parties of Indians and Tories and then returned home by the same route they went."

Strong returned to Chester, where he remained until some time in the summer of 1780 when he again joined the army in Charlotte, under the Command of General Sumpter and from there he was marched under the command of Colonel Neel to Rocky Mount, in Chester county, against a body of British and Tories, whom they fought and Col. Neel was killed.

He returned home for a time and later was marched through Winnsborough to a British fort, called Congaree Fort, on Congaree river, at that time occupied by a British party, whom they had expected to fight, but who surrendered "at the sight of a flag."

From then they marched to a place called Biggins church, two miles from Moncks Corner, against a Body of British who were lying there but who evacuated the place before the Americans arrived, and burned the church—"then we marched towards Camden, on the road to which place they took a number of wagons, stores, baggage, etc., belonging to the enemy—that Camden was then occupied by the British, a party of whom called Tarlton's dragoons, commanded by Tarlton in person, immediately pursued and overtook us three miles from Rocky Creek in Chester County, where we were defeated and Captain Pagan, my immediate Captain was killed."

Following the last mentioned engagement Strong returned home but was again called out in the fall of the same year, "when he marched to Fish Dam ford in the County of Chester, where he and his party were attacked in the night by the British. They, however, stood their ground and the enemy drew off. From thence we marched to a place called Blackstock farm on the water of Tiger river to which place they were pursued by the British and attacked. In this engagement General Sumpter was wounded. The Americans, however, again stood their ground and the enemy retired."

Strong, in his application for pension, stated that he knew of no person who could testify as to his Revolutionary services other than his Major, "now General John Adair, who as he is informed, has since been elected Governor of the State of Kentucky," and who was still a resident of that state and a member of Congress.

Christopher Strong's will was dated November 16th, 1849, was recorded in Dickson county, Tennessee, December 25th, 1850. In his will he mentions his wife, Rosannah, and three daughters, namely: Martha Dickson, Jane Farrar and Sarah Bowen. He owned about 1100 acres of land, a part of which he left to two great-grandsons, Charles Betts and Joseph Dickson. He also made provision for the education of these young men for the ministers in the Associate

Reformed Church. Both did become ministers and we find that Charles Bowen Betts, D. D., returned to the land of his fathers, so to speak, and became pastor of Union Associate Reformed Presbyterian church at Richburg, accepting the call in December 1870.

Rev. Betts was a son of William Betts and Eliza Bowen and was born at Charlotte, Dickson county, Tenn., November 12th, 1828. He was twice married. First to Miss Amarith H. Sharpe, of Due West, who bore him six children, she dying in Nov. 1870. The second marriage was to Miss Flora M. Burns, of Chester county, who also bore him six children. He died in December 1903. His second wife died in 1907 and both are buried at Union church cemetery. Mrs. Betts was visiting her son, Rev. Robert C. Betts in Braddock, Penn., and fell while getting off a street car, dislocating her hip. She developed pneumonia from which she died in April 1907. She was the mother of Mrs. J. W. Reid of Richburg,

From this sketch it will be noted that Mrs. J. W. Reid of Richburg, is a lineal descendant of Christopher Strong; also Mrs. Stark M. Sims, Jr., of Chester.

John Wilson Burns

Richburg Farmer's Death Follows Son's Closely

Special to "The State"

Chester, Feb. 29, 1936 John Wilson Burns, 49, framer of the Richburg section, died at his home Saturday morning of influenza and pneumonia following closely the death of his son, John Rollins Burns, 19, who died of a similar malady February 12.

He is survived by his widow, Mrs. Eva Roddey Burns; two daughters, Mrs. W. H. Newsom of Rock Hill and Miss Rose Mary Burns of near Richburg, and brothers and sisters, Mrs. William Lowry Reid of Due West, William Andrew Burns of Richburg, Edward Betts Burns of Pacolet, Miss Flora Burns of Great Falls and Mrs. David Cochrane Reid of Richburg.

Funeral services will be conducted from the Union Associate Reformed Presbyterian church near Richburg Sunday afternoon at 3 o'clock with burial in the churchyard. The Rev. R A Lummus, will be in charge.

Mr. Burns was a native of the Richburg section, a son of the late John Calvin Burns and the late Fannie Wilson Burns. He was educated at the Lewisville school. He was a member of the Union Associate Reformed Presbyterian Church.

INDEX

A

Adair	
John	114
Adams	
Abram	82
Margaret	82
Mary Jane	102
Willie	107
Agee	
Garner	100
Jean	100
Agnew	
Carrie Knox	98
Elizabeth	98
John S.	98
William B.	98
William C.	98
Agnews	91
Anderson	
Charles	105
Nancy	86
Atkinson	
Belle	94
Biggers	92
Cicely Mobley	92,93
Guy	93
James Beldon	92
Sarah Woods	92
Atkinson, Jr.	
James	92
Auten	
Cynthia	104
Harold	104
Jerry	104
Pauline	104
Auten, Jr.	
Harold	104
B	
Babcock	
S. F.	101
Baird	
John W.	106
Barrons	84
Barwick	
Mrs. J. O.	90
Beckett	
Lydia	102

Beckham	
Alethia	106
Betts	
Charles	115
Charles Bowen	115
Mamie	91
Robert C.	115
William	115
Bigham	
Margaret	102
Mattie	102
Blackstock	
William	83
Bonner	113
Bowen	
Eliza	115
Sarah	115
Boyce	
Lillie E.	105
Boyd	82
Nette	105
Boyne	87
Brakefield	
Peggy	95
Brewer	
Robert Lee	106
Brooks	
John F.	112
Brown	
J. S.	110
Mrs. W. R.	87
R. Roy	87
William	97
Bundy	
John L.	102
Burns	
Edward Betts	115
Eva Roddey	115
Fannie Wilson	115
Flora	115
Flora M.	115
John Calvin	115
John Rollins	115
John Wilson	115
Rose Mary	115
William A.	105

Wm. Andrew.....	115
C	
Carey	
Robert.....	84
Chambers	90
Cherry	
Eliza Jane	107
Chestnut	
William	113
Clark	
James.....	103
Cochrane	
John M.	91
R. S.....	91
Robert S.	91
Coffee	
Polly	82
Collins	
Anne Pickens	85,92
E. Greene.....	112
Conrad	
Hawkins Meador.....	95
Mildred Meador	95
Cooper	
Jane	97
Jean	97, 98
John.....	97
Robert.....	114
Cope	
Emily.....	107
Cornwell	
Wli.....	117
Cowan	
Dr.	91
Craig	
Mrs. W. D.	106
Craigs	84
Culp	
Caspar	103
D	
Dandy	96
Dickey	
John.....	107
Dickson	
Joseph.....	115
Martha.....	115
Downing	
Mary.....	97, 98
William	97, 98
Dunbar	

Rachel Elizabeth	105
Dunlap	
Dora Jones	107
E	
Elizabeth	103
Elizabeth	89
Elliott	
Archibald	103
Ellis	
Lord Hercules	82
Ellison	
Robert	114
F	
Faris	
James Craig.....	105
Joe Simpson.....	104
John A.....	105
Mary Wylie.....	105
Faris, Jr.	
Joe Simpson.....	104
Farr	
Carry	96
Farrar	
Jane	115
Faucett	
Margaret.....	86
Faucette	
Elizabeth	100
James	99, 100
Lucy	99
Margaret.....	99
Mary.....	99
Mary Ann.....	100
Rachel	99
Rebekah	100
Sarah	100
Susannah.....	99
Fennell	
Alethia	107
Alethia Addie.....	107
Alva Curtis.....	107
Henrietta	107
James Flenniken	106
John Bell.....	106
John Bratton.....	107
Julia Beckham.....	107
William Wallace.....	106
Fennell, Jr.	
Wm Wallace	107
Fenney	

Patrick	97
Ferguson	
Stewart	104
Floyd	
V. C.	83
Forbis	
J. M.	98
Foyd	
V. C.	82
G	
Galloway	
Mrs. M. A.	98
Gaston	
Frank Patton	107
John Newton	107
Gaston, Jr.	
John Newton	107
Gettys	
Ruth	104
Gill	
George	98
James	97, 98
Lou	105
Gist	
Albert	96
Alfred	96
Berry	96
Bessie	96
Beulah	96
Catherine	96
Cluff	96
Dandy	96
Florie	96
General	96
Henry	96
John	96
Johnny	96
Joseph	96
Landrum	96
Laura	96
Leroy	96
Lynelle Jefferson	96
Madison	96
Margaret	96
Marsilla	96
Melissa	96
Nancy	96
Oscar	96
Robbie	96
Robert	96
Sadie	96

Sallie	96
Scott	96
Spencer	96
Washington	96
William	96
Willie	96
Gist, Jr.	
Berry	96
Gladden	
C. B, Mrs.	98
Glasscock	
Earle P.	105
Gore	
R. J.	91
Robert Sharp	91
Greene	
Professor	91
Grier	
Isaac	83
Guy	
Jane Smith	91
William	91
H	
Hamilton	
William	102
Hardin	
Adam Walker	91
Eliza Agness Guy	91
Ernest Thompson	92
Peter Bascom	92
Samuel Fred	91
William Guy	91
Harper	
Catherine Huey	83
William	83
Hartness	
Elizabeth	97
John	97, 98
Hawkins	
Belle Atkinson	94
Hefley	
Molly	107
Hegler	107
Hemphill	
Isabel	101
Henkels	
Jesse	97
Henry	
Ella	104
Hicklin	
Sadie	91
Hill	

Bessie 96
 Elwillie 96
 William J. 96

Hook

Ruby 105

Hooten

Easter 105

Howard

Lewis 96

Victoria Murphy 96

Huey

Alexander Boyd 82, 83

Catherine 82

Cattren 82

Eliza Boyd 83

George Blackston 83

Hercules 82

James 82, 83

James A. 83

James Leroy 83, 84

Jane 83

Jane Walker 82

John Boyd 82

Margaret 82

Robert Davis 82, 83, 84

Thomas Walker 83, 84

Hughes

Betty Jean 96

Doris 96

Herbert 96

Herbert, Jr. 96

LeRoy 96

Ruthie Mae 96

Sadie 96

Whilamenia 96

Hull

Josephine 102

J

Jackson

Andrew 82

Jeter

Arthur 96

Deothus 96

Florida 96

Odessa 96

Savannah 96

Johnson

Eleanor 83

Richard M. 83

Jones

Kate Robinson 93
 Joseph 96

K

Keagar 103

Keenan

Ellie 91

Kelley

Furman O. 90

Kelly

Emilie 107

Kelsey

Jno 98

John 97

Kelso

John 98

Kennedy

Ik 91

Kiser

Mrs. Horace W. 91

Knox

Hugh 97

L

Lacy

Edward 114

Lathan

Nancy 106

Lesesne

Joab Maldin 107

Wm. Wallace F. 107

Lesesne, Jr.

Joab Mauldin 107

Leslie

David C. 104

Harriette 104

Jean 104

Kirk 104

Lynn 104

Marguerite 104

Martin Luther 104

Pauline 104

Rebecca 104

Leslie, Jr.

David C. 104

Martin Luther 104

Lesslie

Alma 105

Bessie 105

Dallas 105

Joseph 105

Martha Eliza 105

Nathaniel.....	105
Thomas Faulkner.....	105
Lindsay	
Nancy.....	96
Locke	
Jerry.....	100
Lockhart	
Elizabeth Martin.....	103
Loromor	
James.....	89
Loromore	
James.....	89
Lummus	
R. A.....	115
Lyle	
David.....	106
Janet.....	107
Mary Rose.....	106
M	
Mac	
Florida.....	96
Macaulay	
Mrs.....	99
Maclin	
Victoria.....	84
Mahaley	
Ette Bell Meador.....	95
Mann	
J. Oscar.....	98,100
Marion.....	82
Essie.....	91
Hardin.....	91
Martin	
Charlie.....	96
Isaac.....	96
Mary.....	96
Sallie.....	96
Mason.....	84
McCain	
Hugh Johnston.....	84
Willim.....	
---83.....	
McCammon	
John.....	103
Nathaniel.....	103
William.....	103
McClelland	
William B.....	84
McCormick	
George.....	108
McDaniel	
J. M.....	108

McDill.....	113
Mr.....	91
McDowel	
John.....	89
McFadden	
Candis.....	97
J. B., Mrs.....	98
John.....	97, 98
Margaret.....	97, 98
McGowan	
William.....	104
McGriff	
Patrick.....	114
McLemore	
Sarah Meador.....	95
McWaters	
Lottie.....	91
McWhorter	
Jerimiah.....	116
Meador	
Addie.....	93
Emma.....	93, 95
Emma A.....	92
Emy Mildred.....	93
Ette Bell.....	93
Guy.....	93, 95
Guy A.....	95
Guy Atkinson.....	93
Hawkins.....	93, 94
Mildred.....	95
Mrs.....	94, 95
Sarah.....	95
Sarah Elizabeth.....	93
Wm Daniel Hawkins.....	93
Mears	
Jennifer Alice.....	104
Sallie Simpson.....	104
Millen	
Harper.....	105
John.....	114
Jugh J.....	105
Margaret.....	105
Miller.....	102, 107
Catherine J.....	87
Cecilia.....	87
James.....	113
James Robert.....	87
Janet W.....	87
John.....	105
John C.....	87
Josiah.....	87
Sarah.....	87

William	87
Mills	
Mrs. P. A.	101
Mobley	
Edward	92
Lena Key	90
Sicily Bell.....	92
Moffat	113
Moffett	
Elizabeth	106
John C.	105

N

Neel	
Colonel	114
Neely	
John Simpson	105
Margaret White	105
Mary Gill.....	105
Willis Simpson.....	105
Willis Wherry.....	105
Nelson	
Abel.....	83
Newsom	
Mrs W. H.	115
Nichols	
Jean	100
Williams.....	107
Nunnery	
Albert	107

O

Orr	
Thomas.....	107
Osborne	
Mary Ruth	107

P

Pagan	
Captain	114
Pagen	
James.....	89
Pate	
William Wilson.....	107
Patterson	
Mrs. James H.	82
Mrs. James Patterson	85
Patton	
John R.	107
Mary	107
Sally	106
Pegan	
James.....	88

Persee	
Katherine	82
Richard.....	82
Polk	
James K.....	84
Pratt	
Leonard.....	117
John.....	116
Pride	
Anna Ross.....	106
C. J.....	106

R

Reid	
Esther	91
John.....	91
Mary.....	91
Mrs Wm Lowry	115
Mrs. David C.	115
Mrs. J. W.	115
W. J.....	91
Riggs	
George	100
Roberts	
Gary	86
Robinson	
Austell.....	96
Dorothy Helon	96
Florie.....	96
Kate.....	93
Lonnie Allem	96
Mary Austell, Jr.	96
James Oscar	96
Mary Louise.....	96
Mary Woodson	96
Queen Ethel	96
Ruth Hazel	96
Sanford.....	96
William	96
Wilson.....	96
Roddey	
Mary.....	98
S	
Shadrick	
William	103
Sharp	
Palmyra.....	91
R. C.....	91
Sharpe	
Amarinth H.	115
Shippen	

Edward.....	89	Thomas Elihu.....	102
Shlachher.....	103	W. E.....	102
Simpson.....	102	W. Elihu.....	107
Agnes.....	105	W. T.....	105
Albert McDonald.....	104	Walter.....	102
Allen Jones.....	106	Will.....	91
Amelia.....	101	William.....	102
Barbara Isabel.....	105	William Blair.....	104
Belle.....	104	William Duke.....	107
Brown.....	102	William Elihu.....	102
Cadwallader Pride.....	106	William R.....	106
Carrie.....	107	Wilson.....	106
E. C.....	106	Wm Harper.....	105
Eliazabeth.....	107	Wm Robinson.....	106
Eliza.....	106	Wm Stone.....	107
Ellie.....	102	Wm. Blackstock.....	105
Florence May.....	104	Simpson, III	
Francis McDonald.....	102	John.....	105
Harriet.....	102	Simpson, Jr.	
Henry Betts.....	104	John.....	102, 106
Henry Calin.....	104	William Blair.....	104
Henry Calvin.....	106	Simpson, III	
Hugh.....	107	William R.....	106
Isaiah.....	106	Sims, Jr.	
J. Walter.....	106	Stark M.....	115
Jane Wylie.....	105	Sinkhorn	
John.....	102, 107, 108, 109, 110	General.....	114
John Hemphill.....	106	Sleager	
John Millen.....	105	Skipper.....	103
John Sitgreaves.....	106	Sleeker.....	103
Joseph Wylie.....	105	Sliger.....	103
Lessie.....	105	Elizabeth Martin.....	103
Lurline.....	104	George.....	103
Margaret.....	105, 107	Sliger, Jr.	
Margaret Wylie.....	104	Caspar.....	103
Martha.....	105	Sliger, Sr.	
Martha Lurline.....	104	Caspar.....	103
Martha Millen.....	105	Smith.....	113
Mary.....	91, 102, 105, 106	Mary.....	90
Mary Jane.....	107	O. D.....	90
Mattie Belle.....	105	Sallie Gregory.....	90
Nannie.....	105	W. B.....	82
Neil P.....	106	William.....	99
Ollie.....	105	William F.....	90
R. L.....	106	Sneed	
Robert Truesdale.....	106	Addie Meador.....	95
Sallie.....	105	Sproul.....	87
Sarah.....	106	Steel	
Solomon.....	102	Archibald.....	88, 89, 90
		Martha.....	88, 89
		Robert.....	88, 89, 90
		STEEL	

Elizabeth	89
Steele	
Archibald.....	88
Elizabeth Bailey.....	89
John James	89
Joseph.....	89
Leah.....	89
Madeline	89
Martha.....	88
Mary.....	89
Rachel	89, 90
Robert.....	90
Robert Bailey	90
Sameul.....	90
William	89, 90
Stephenson	
Elenor.....	97
Ellinor	98
John.....	97, 98
Stone	
Sarah	102, 106
Strait	
James.....	107
Stringfellow	
James.....	101
Janie	100, 101
John James	100
Mrs.	100
Robert.....	100
William B.....	101
Strong	
"William.....	113
Charles	113
Christopher.....	113, 115
Elizabeth	113
James	113
Jane Farrar	115
Martha Dickson	115
Rosannah.....	115
Sarah Bowen.....	115
Strong, Sr.	113
Stule	
Clem S.....	110
Summers	
Louise.....	107
Sumpster	
General.....	114
Sumter	
Gen.....	82
Swift	
Frank M.....	102

T	
Tarlton	114
Tecumseh	83
Thompson	
James	83
Otis Plaxico.....	105
Thomson	
Hugh	88
Margaret.....	88
Troublefied	
Daniel B.....	90
Truesdale	
Elizabeth	106
V	
Van Buren	
Martin	83
W	
Walker	
Alexr.	97
Andrew	82
Elijah.....	84
Elijah C.....	83
Jane	82, 83
John.....	82, 83
Phillip.....	97
Samuel	97
Thomas	82, 83
Walkup	
David	83
Wall	
Broadus E.	90
Walsh	
Viola	91
Waters	
Elizabeth	99
Mrs. Chalmers	90
Walter Edward.....	99
Wharey	
Elizabeth	88
John.....	88
White	
Edward.....	103
Martha Caroline.....	105
Martha Randal	105
Mrs.....	99
Nancy Agness	103
Peter.....	105
Whiteside	

Janie	104
Whitesides	
Ammie.....	91
Ida	91
James.....	91
Wilbur	
Martha.....	107
Wilkinson	
James.....	116
Wilkes	
Francis.....	117
Williams	
Adelaide	104
Anna Kate	104
General	114
Williford	
Kilgore	105
Woods	85
Alice Hawthorn.....	86
Elihugh.....	99
Elizabeth Pinchback.....	86
Hawthorne Robert.....	86
Hugh.....	99
John.....	99
Joseph.....	99
Margaret Faucette	99
Margaret Mebane	99
Mary.....	99
Matthew	86, 99
Nancy	99
Richard.....	86, 99
Sarah	99
Susannah	99
Workman	
H. B.....	94
Wortham	
Charles	99
Wylie	
Harriet.....	102
Rebecca.....	102
Sarah	102
Sarah Pauline	104
Y	
Yarborough	
Fannie.....	91